



DIVISION OF ERECTOWELD, INC.

1444 South West Ave., Waukesha WI 53189
262-547-0211 Fax 262-547-0718
weedharvesters@aol.com

586 Third Line, Oakville, ON L7L 4A7 Canada
Tel: (905) 825-1371 Fax: (905) 825-4116
www.aquamarine.ca

7385 Baldwin Rd., Cayuga NY 13034
315-253-4270 Fax: 315-253-9277
Weedharvesters.com atcc@localnet.com

SC-800 SHORE CONVEYOR (32’/9.75m)

Technical Specifications

DIMENSIONS & WEIGHT

Length Overall (A)	41’-7”	12,68 m
Width Overall	10’-10”	3,30 m
Width Shipping	8’-6”	2,59 m
Height Towing	10’-0”	3,05 m
Height Shipping	7’-8”	2,34 m
Drop-off Height (C)	15’-0”	4,57 m
Weight w/o Options	6,500 lbs	2,950 kg

AXLE, INDEPENDENT SUSPENSION

Type		Single
GAWR	7,000 lbs	3,180 kg
Axle Width, O/A (B)	8’-0”	2,44 m
Rim Size		14.5 x 7, 5-bolt
Tires		9 – 14.5, 12-ply

CONVEYOR

Length (1)	32’-0”	9,75 m
Width	6’-2”	1,88 m
Conveyor Belting, Cleated	HD Galvanized Flat Wire Mesh	
Shafts Diameter	3”	76 mm
Hydraulic Motors		Two (2)

HYDRAULIC POWER TRAIN

Gasoline Engine	Air-cooled, 18HP/13.4 kW @ 3600 rpm, electric start	
Fuel Tank	12 US gal	45 liters
Pump		Gear type
Control Valve		Two (2) stack, manual
Lift Cylinder		Single
Hydraulic Tank	18.5 US gal	70 liters

ACCESSORIES

Jack	7,000 lbs	3,180 kg
Pintle Eye Diameter	2.5”	65 mm
Safety Chains		Two (2)
Battery		Heavy duty 12-volt
Fasteners		Stainless steel
Conveyor Safety Bar		Standard equipment

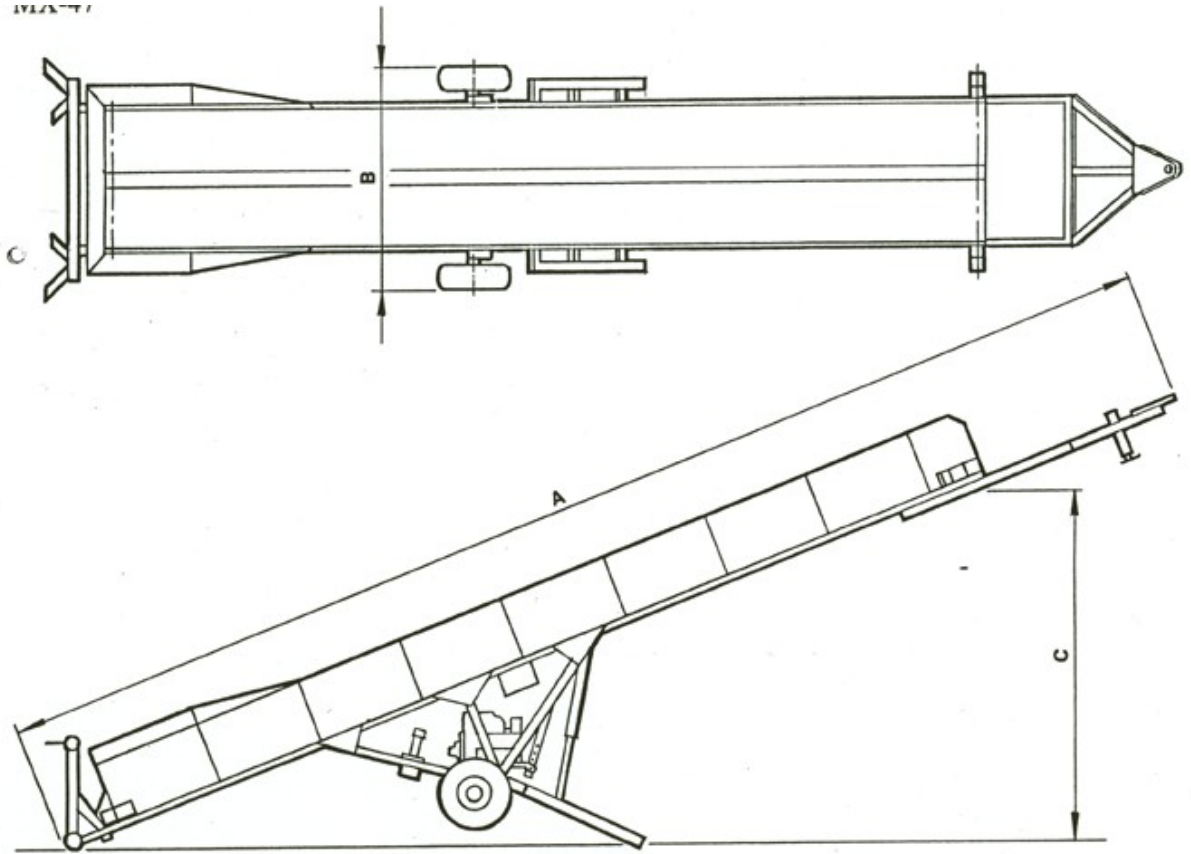
ANTI-CORROSION SYSTEM: High impact, high visibility safety orange, thermally cured epoxy coating

OPTIONAL EQUIPMENT

- Spare parts package with tire & wheel assembly
- Stainless Steel Structure
- Stainless steel belting
- Towing package: light bar & wire harness

(1) Extended version available in 2’0”/800 mm long increments. Shore conveyor can be shipped in 1-40’/12 m long open-top container. Some minor assembly required.

171/25-717



AQUAMARINE SC-800 SHORE CONVEYORS